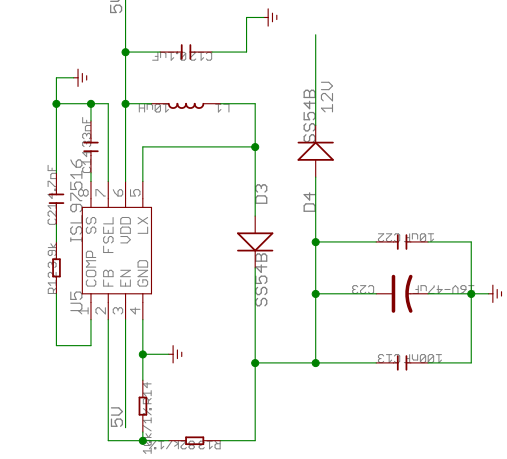
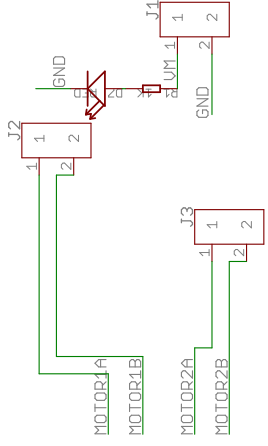


booster to 12V



5V 14 UCC GND Z GND

Connector



D9: Motor_1 speed control
 D4/D5: Rotation Control of Motor_1
 D10: Motor_2 speed control
 D7/D8: Rotation Control of Motor_2
 D6: System Enable

